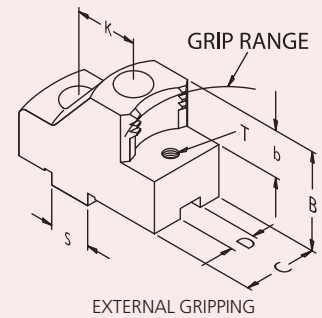


Adjustagrip Hard Top Jaws

For Slot/Tenon Quick Jaw Change Chucks

Material:

- Steel, 590M17
- Black Finish



To suit • SMW-Autoblok Chuck Series KNCS-N

CHUCK Ø	TYPE	GRIPPING RANGES	BASE JAW POS.	MAX Ø SWING	THAME PART No.	B	C	D	K	S	b	T	WEIGHT Kg/Set	
170	KNCS-N 170-43	29 - 60	1	191	LY 10	49	30	8	32	18	20	M6	1.3	
		45 - 77	2	209										
		60 - 92	1	191	LY 13									
		77 - 109	2	209										
		90 - 123	1	191	LY 14									
		108 - 141	2	209										
210	KNCS-N 210-52	27 - 91	1	266	LY 20	49	30	10	40	20	20	M6	1.3	
		58 - 128	2	303										
		89 - 160	2	266	LY 22									
		125 - 197	2	303	LY 24									
225	KNCS-N 225-65	27 - 92	1	267	LY 20	49	30	10	40	20	20	M6	1.3	
		59 - 130	2	305										
		91 - 162	2	305	LY 22									
		127 - 198	2	305	LY 25									
260	KNCS-N 260-72	33 - 105	1	313	LY 30	59	40	12	40	20	25	M6	2.4	
		86 - 168	2	377										
		61 - 143	1	313	LY 32									
		123 - 206	2	377										
		112 - 195	1	313	LY 35									
315	KNCS-N 315-91	46 - 126	1	356	LY 30	59	40	12	40	20	25	M6	2.4	
		130 - 213	2	444										
		81 - 163	1	356	LY 32									
		167 - 251	2	444										
400	KNCS-N 400-128	67 - 191	1	446	LY 40	59	50	12	54	26	25	M8	4.0	
		143 - 269	2	525										
		191 - 318	1	446	LY 43									
		269 - 397	2	525										
500	KNCS-N 500-155	74 - 235	1	543	LY 50	78	50	18	60	30	33	M8	5.6	
		180 - 357	2	545										
		177 - 354	1	543	LY 55									
		298 - 475	2	585									5.1	

Slot/Tenon Hard Top Jaws

Internal and bar gripping jaws available on request.

THAME WORKHOLDING

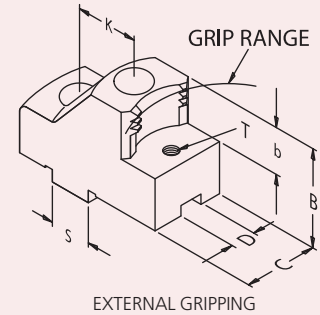
Field End, Thame Road, Long Crendon, Aylesbury, Bucks, HP18 9EJ England
 Telephone: + 44 (0)1844 208050 Fax: + 44 (0)1844 201699
 E-mail: sales@thameworkholding.com Web: www.thameworkholding.com

Adjustagrip Hard Top Jaws

For Slot/Tenon Quick Jaw Change Chucks

Material:

- Steel, 590M17
- Black Finish

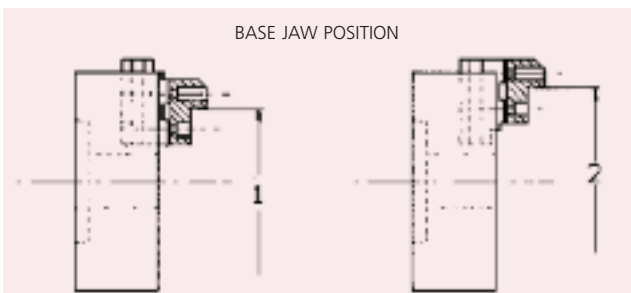


To suit • SMW-Autoblok Chuck Series KNCS

CHUCK Ø	TYPE	GRIPPING RANGES	BASE JAW POS.	MAX Ø SWING	THAME PART No.	B	C	D	K	S	b	T	WEIGHT Kg/Set
160	KNCS 160-32	27 - 46	1	177	LY 10	49	30	8	32	18	20	M6	1.3
		34 - 63	2	195									1.2
		57 - 78	1	177	LY 13								1.1
		65 - 96	2	195									1.4
		78 - 109	1	177	LY 14								
		96 - 127	2	195									
170	KNCS 170-40	27 - 54	1	186	LY 10	49	30	8	32	18	20	M6	1.3
		40 - 72	2	204									1.2
		54 - 87	1	186	LY 13								1.1
		72 - 104	2	204									1.4
		85 - 118	1	186	LY 14								
		102 - 135	2	204									
200	KNCS 200-41	27 - 61	1	235	LY 20	49	30	10	40	20	20	M6	1.3
		56 - 98	2	273									1.2
		51 - 93	1	235	LY 22								1.1
		88 - 130	2	273									1.4
		86 - 129	1	235	LY 25								
250	KNCS 250-52	33 - 84	1	291	LY 30	59	40	12	40	20	25	M6	2.4
		86 - 147	2	355									2.3
		61 - 121	1	291	LY 32								2.0
		123 - 184	2	355									
		113 - 174	1	291	LY 35								
		176 - 237	2	355									

Slot/Tenon Hard Top Jaws

BASE JAW POSITION



Workpiece Height Pins

See page 165



Internal and bar gripping jaws available on request.

THAME WORKHOLDING

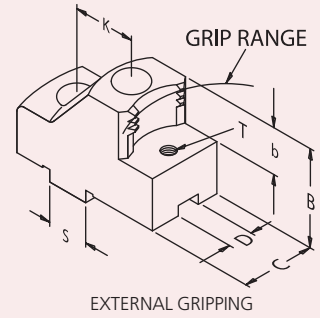
Field End, Thame Road, Long Crendon, Aylesbury, Bucks, HP18 9EJ England
 Telephone: + 44 (0)1844 208050 Fax: + 44 (0)1844 201699
 E-mail: sales@thameworkholding.com Web: www.thameworkholding.com

Adjustagrip Hard Top Jaws

For Slot/Tenon Quick Jaw Change Chucks

Material:

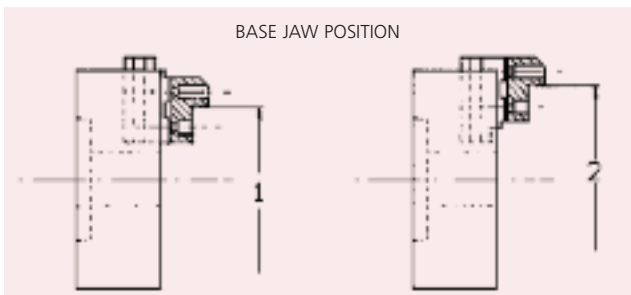
- Steel, 590M17
- Black Finish



To suit • SMW-Autoblok Chuck Series KNCS continued

CHUCK Ø	TYPE	GRIPPING RANGES	BASE JAW POS.	MAX Ø SWING	THAME PART No.	B	C	D	K	S	b	T	WEIGHT Kg/Set	
260	KNCS 260-65	33 - 95	1	302	LY 30	59	40	12	40	20	25	M6	2.4	
		86 - 158	2	366										
		61 - 132	1	302	LY 32									
		123 - 195	2	366										
		113 - 185	1	302	LY 35									
		176 - 248	2	366										
315	KNCS 315-77	36 - 115	1	344	LY 30	59	40	12	40	20	25	M6	2.4	
		119 - 202	2	432										
		70 - 152	1	344	LY 32									
		156 - 239	2	432										
		122 - 205	1	344	LY 35									
		209 - 293	2	432										
315	KNCS 315-91	46 - 126	1	356	LY 30	59	40	12	40	20	25	M6	2.4	
		130 - 213	2	444										
		82 - 164	1	356	LY 32									
		168 - 251	2	444										
		134 - 217	1	356	LY 35									
		221 - 304	2	444										
400	KNCS 400-92	51 - 165	1	419	LY 40	59	50	12	54	26	25	M8	4.0	
		116 - 242	2	497										
		165 - 292	1	419	LY 43									
		242 - 369	2	497										
500	KNCS 500-128	74 - 208	1	515	LY 50	78	50	18	60	30	33	M8	5.6	
		178 - 327	2	515										
		177 - 326	1	515	LY 55									
		296 - 445	2	555										

Slot/Tenon Hard Top Jaws



THAME WORKHOLDING

Field End, Thame Road, Long Crendon, Aylesbury, Bucks, HP18 9EJ England
 Telephone: + 44 (0)1844 208050 Fax: + 44 (0)1844 201699
 E-mail: sales@thameworkholding.com Web: www.thameworkholding.com