

BAH
TA-CP
TA
MO
HT
VH
TSI/TSX
T
MT-TC-TC3
Accessori
Accessories
Appendice tecnica
Technical supplement



testa ad angolo - angle head



TAV13.P

caratteristiche/features



ø 13



M10



1-1



5500

peso/weight



7,8 kg



10,5 kg

rotazione/rotation

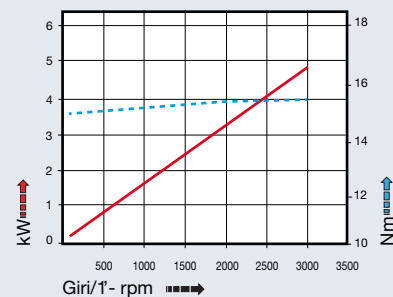


input



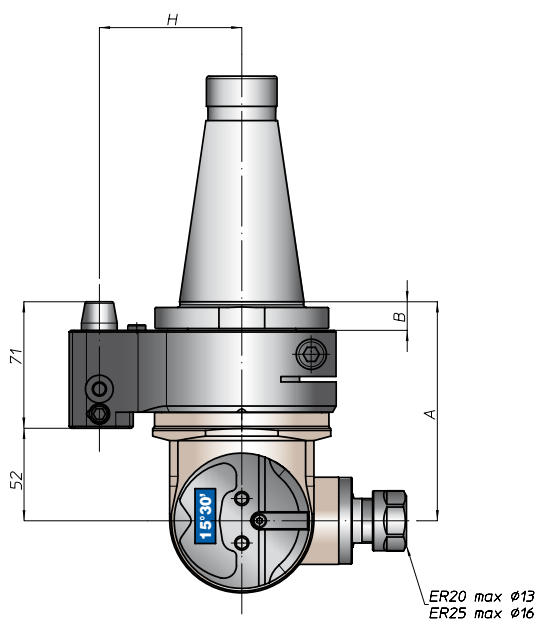
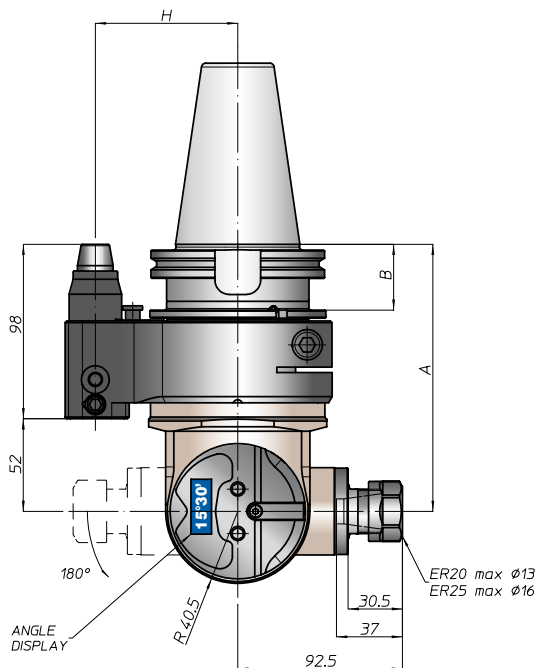
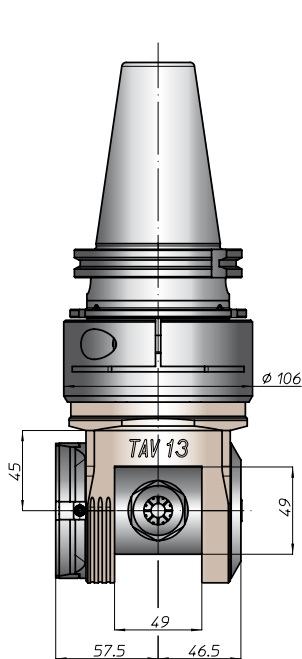
output

prestazioni/performance



tipi mandrino disponibili / available spindle types

- 1** DIN6388-ER
ER25
- 3** Weldon
Whistle-Notch
Ø16



CONO SHANK	size	H			
		A	B	standard	optional
DIN9871 *	-			65	-
	40			80	110
	45			80	110
ANSIB5.50 *	40	150	35	65	-
	50			80	110
	50			80	110
* BT	40			65	
	50	158	45	80	110
DIN9893	63		42	65	
	80	159		80	110
	100		46	80	110
CAPTO	C5			65	
	C6	154	39		
	C8			80	110
KM	63			65	
	80	150		80	110
	100			80	110
DIN2080	-	120	13	65	-
	40			80	110
	50	123	16	80	110
ANSIB5.18	40	120	13	65	-
	50	123	16	80	110

* Option: Dual Contact

