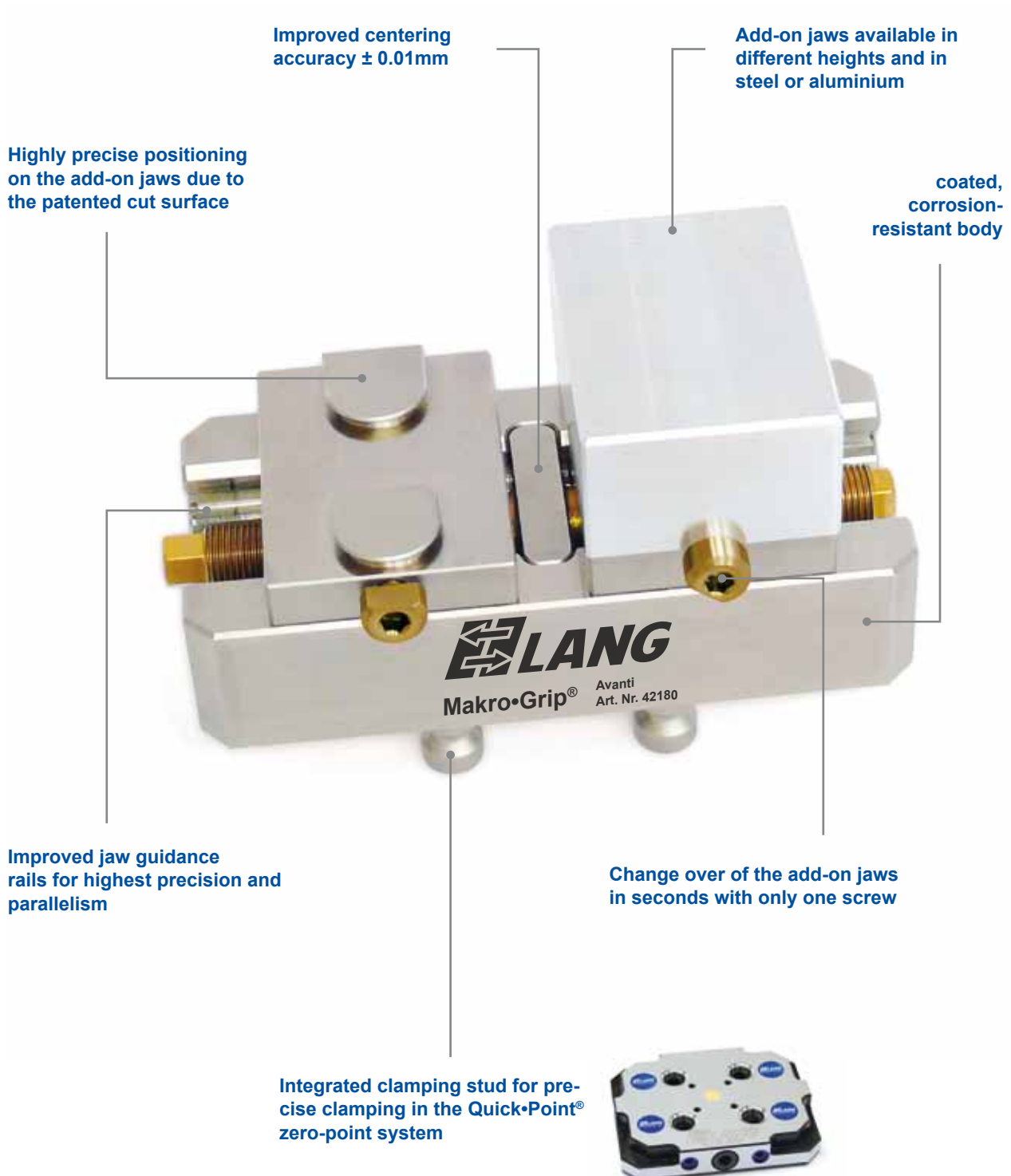


Makro•Grip® Precision Vice Avanti: Precise, flexible, fast – The ideal clamping solution for the 6th side.



- ✓ Enormous set-up savings and best possible flexibility!
Change over add-on jaws in seconds
- ✓ Clamping situations can be reproduced with high repeatability
due to the patented change over system of the jaws
- ✓ High precision centering accuracy and parallelism
- ✓ Machinable add-on jaws are perfect for parts that are
difficult to clamp, which makes it ideal for the 6th side
- ✓ The soft add-on jaws allow through maximum usable
volume the placement of any contour, no matter if
cubical, round or odd shaped



**Add-on jaws can be used twice
by adding contours on both sides
of the jaws.**



Only one screw has to be actuated to clamp the jaw. When the milled area faces upwards the jaw is not clamped (left picture) and can be taken away. When the jaw is clamping (right picture) the diameter of the screw faces upwards.

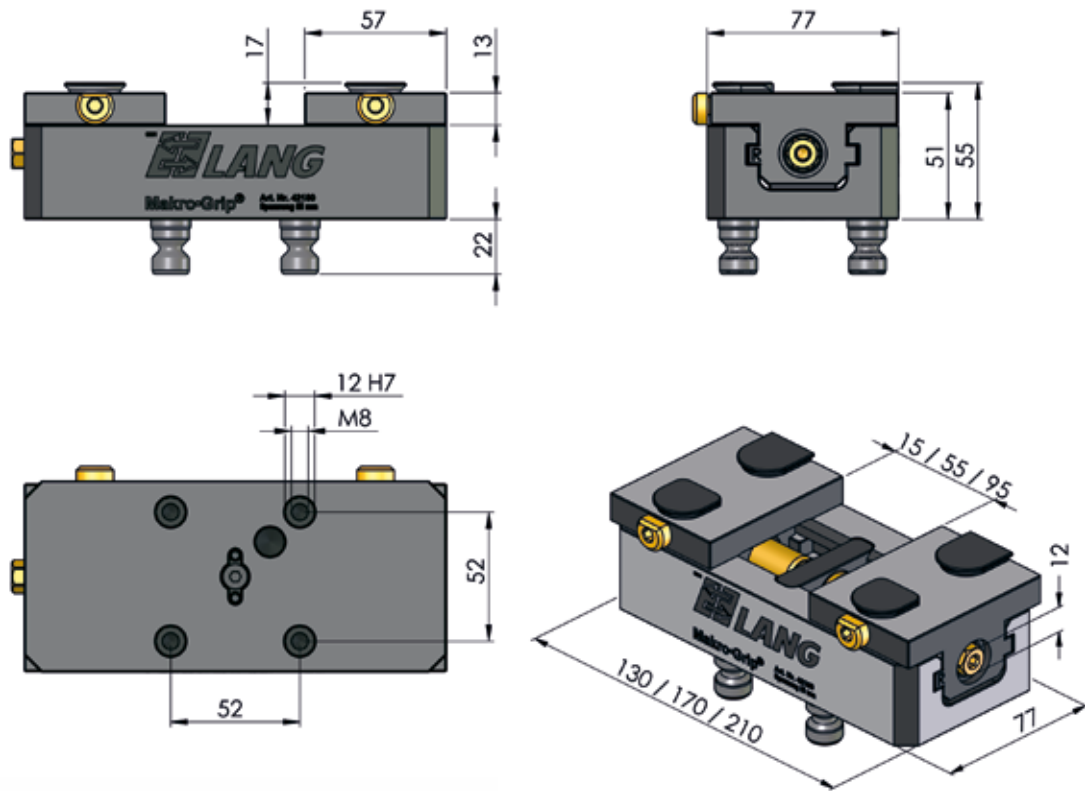
Makro•Grip® Precision Vice Avanti 77

Trendsetting technique for all kinds of milling tasks!



Makro•Grip® Precision Vise Avanti 77

Description/Type	max. range in mm	Weight in kg	Order No.	Price
Makro•Grip® Precision Vise Avanti 77 Base length 130 mm	15	3.7	42140	
Makro•Grip® Precision Vise Avanti 77 Base length 170 mm	55	4.4	42180	
Makro•Grip® Precision Vise Avanti 77 Base length 210 mm	95	5,0	42220	



Shown here:
Aluminum 36 mm

Soft add-on jaws for Makro-Grip® Precision Vice Avanti 77

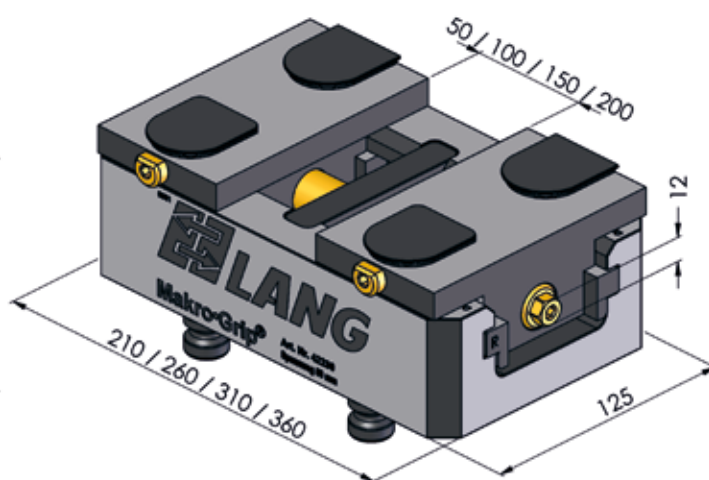
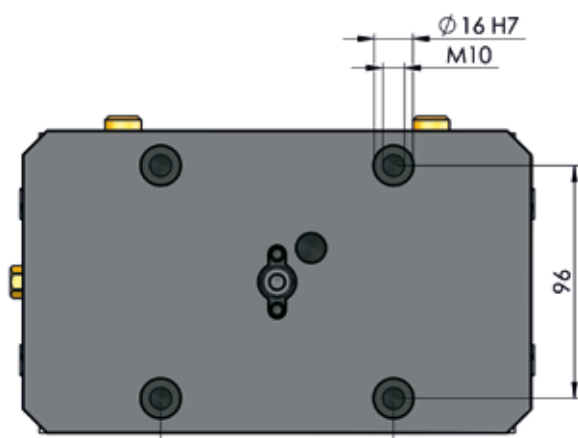
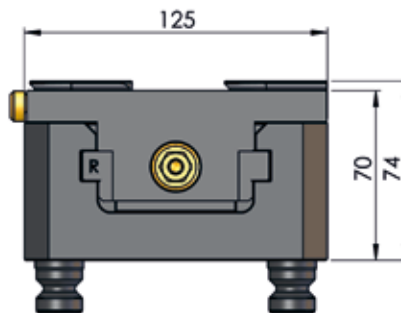
Description/Type	Height in mm	Weight in kg	Order No.	Price
Add-on steel jaws, 1 pair	36	2.4	42776-36	
Add-on steel jaws, 1 pair	56	3.8	42776-56	
Add-on aluminum jaws, 1 pair	36	0.8	42777-36	
Add-on aluminum jaws, 1 pair	56	1.3	42777-56	

Makro•Grip® Precision Vice Avanti 125

The answer to your questions!



Makro•Grip® Precision Vice Avanti 125				
Description/Type	max. range in mm	Weight in kg	Order No.	Price
Makro•Grip® Precision Vice Avanti 125 Base length 210 mm	50	12	42230	
Makro•Grip® Precision Vice Avanti 125 Base length 260 mm	100	13,9	42280	
Makro•Grip® Precision Vice Avanti 125 Base length 310 mm	150	15.8	42330	
Makro•Grip® Precision Vice Avanti 125 Base length 360 mm	200	17,7	42380	



Shown here:
Steel 36 mm

Soft add-on jaws for Makro-Grip® Precision Vice Avanti 125

Description/Type	Height in mm	Weight in kg	Order No.	Price
Add-on steel jaws, 1 pair	36	2.4	42256-36	
Add-on steel jaws, 1 pair	56	3.8	42256-76	
Add-on aluminum jaws, 1 pair	36	0.8	42257-36	
Add-on aluminum jaws, 1 pair	56	1.3	42257-76	